

BBJ cross traverses

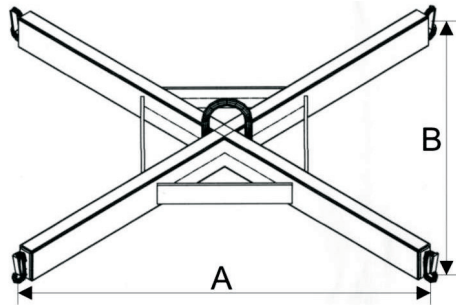


Properties

- 4 welded hooks (Grade 8) for stable suspension.
- Surface finish: RAL 2004 (orange).
- Capacity range labelling.
- Black-and-yellow safety markings at beam ends.
- Hooks equipped with safety latches.

Norm:

- EN12100-1/2, EN13155, EN1677



Type	WLL (kg)	A (mm)	B (mm)	Construction height (mm)	Lifting eye diameter (mm)	Weight (kg)	ProductId
BBJ-1.0	1000	800	800	150	25	21.0	3963010
BBJ-1.5	1500	800	800	150	25	24.0	3963015
BBJ-2.0	2000	800	800	200	25	29.0	3963020
BBJ-2.5	2500	800	800	200	25	31.0	3963025

BBJR cross traverses

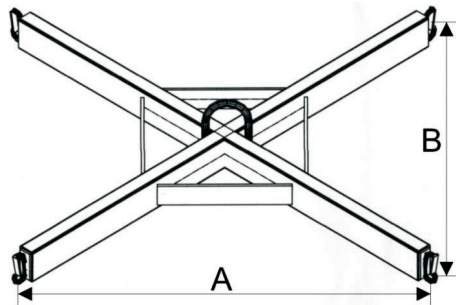


Properties

- 4 hooks for stable suspension.
- Material: Stainless steel AISI 316.
- Capacity range labelling.
- Hooks equipped with safety latches.

Norm:

- EN12100-1/2, EN13155, EN1677



Type	WLL (kg)	A (mm)	B (mm)	Construction height (mm)	Lifting eye diameter (mm)	Weight (kg)	ProductId
BBJR-1.0	1000	800	800	215	25	25.0	3963110
BBJR-1.5	1500	800	800	230	25	30.0	3963115